

NT1000 Electro-Pneumatic Positioner

NUTORK®

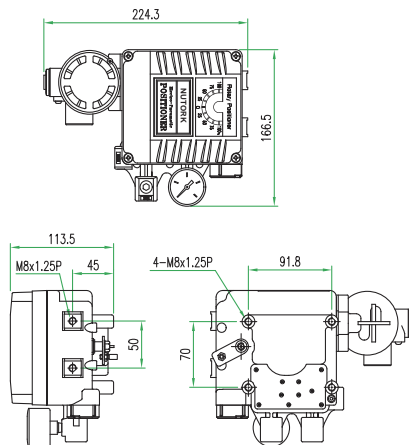
Ordering Code: Rotary Type, NT-1000R - □□□□□□□

Model	Acting Type	Ex-Proof Enclosure	Lever Type	Orifice Type	Indicator Type	Electric Connection	Ambient Temp.	Option
NT-1000R	① Single Acting	① ExdIIBT6	① M6x40L	① Φ1	① Flat Type	① PT	① -20~60	① NONE
	② Double Acting	② ExdIICT6	② M6x63L	② Φ2	② Dome Type	② NPT	② -20~120	② +PTM (4-20mADC)
		③ ExialIICT6	③ M8x40L	③ NONE	③ The Other	③ The Other	③ -40~70	③ +LS(2xSPDT)
		④ NONE(IP66)	④ M8x63L					④ +AFR (Integral Mounted Air Set)
			Weather-Proof	⑤ Namur				

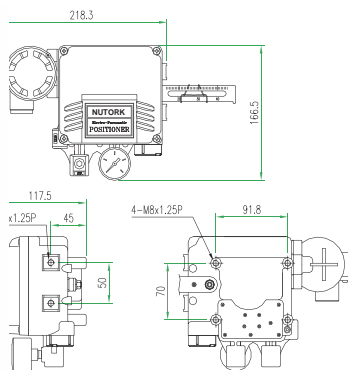
Ordering Code: Linear Type, NT-1000L - □□□□□□□

Model	Acting Type	Ex-Proof Enclosure	Lever Type	Orifice Type	Electric Connection	Ambient Temp.	Option
NT-1000L	① Single Acting	① ExdIIBT6	① 10 ~ 40mm	① Φ1	① PT	① -20~60	① NONE
	② Double Acting	② ExdIICT6	② 40 ~ 70mm	② Φ2	② NPT	② -20~120	② +PTM (4-20mADC)
		③ ExialIICT6	③ 70 ~ 100mm	③ NONE	③ The Other	③ -40~70	③ +LS(2xSPDT)
		④ NONE(IP66)	④ 100 ~ 130mm				④ +AFR (Integral Mounted Air Set)
			Weather-Proof	⑤ 130 ~ 150mm			

Rotary Type, NT-1000R



Linear Type, NT-1000L



Specification:

Item	Type	
	Single Acting	Double Acting
Input Signal:	4-20mADC	
Impedance:	250±15 Ohm	
Supply Pressure:	1.4~7kg.f/cm ² (20~100psi)	
Stroke:	0 - 90°	
Air Conn.:	1/4"PT(NPT)	
Gauge Conn.:	1/8"PT(NPT)	
Electric Conn.:	1/2"PT(NPT,PF)	
Explosion Proof	ExdIIBT6 ExdIICT6 ExialIICT6	
Protection:	IP66	
Amb. Temp.:	-20 ~ 60 (-4 ~ 158)	
Linearity:	± 1% F.S.	± 2% F.S.
Hysteresis:	± 1% F.S.	
Sensitivity:	± 0.2% F.S.	± 0.5% F.S.
Repeatability:	± 0.5% F.S.	
Air Consumption:	3 LPM(Sup=1.4kg.f/cm ² ,20psi)	
Flow Capacity:	80 LPM(Sup=1.4kg.f/cm ² ,20psi)	
Material:	Aluminum, Die-Casting	
Weight:	2.8kg(6.2lb)	

Note: Please specify the thread type of air & electric connection upon order.



Integral Mounted Air Set

Dome Indicator

The Electro-Pneumatic Positioner NT-1000 is used for operation of pneumatic rotary valve actuator by means of electrical controller or control systems with an analog output signal of DC 4 to 20mA or split ranges.

- There is no resonance at 5 ~ 200Hz.
- The change of RA/DA acting is convenient. it is able to apply to single or double acting actuator.
- It is possible to prevent the hunting with orifice to the small size actuator.
- It is economical due to less air consumption.
- It is able to control the 1/2 split range with simple operation with replacement of parts.